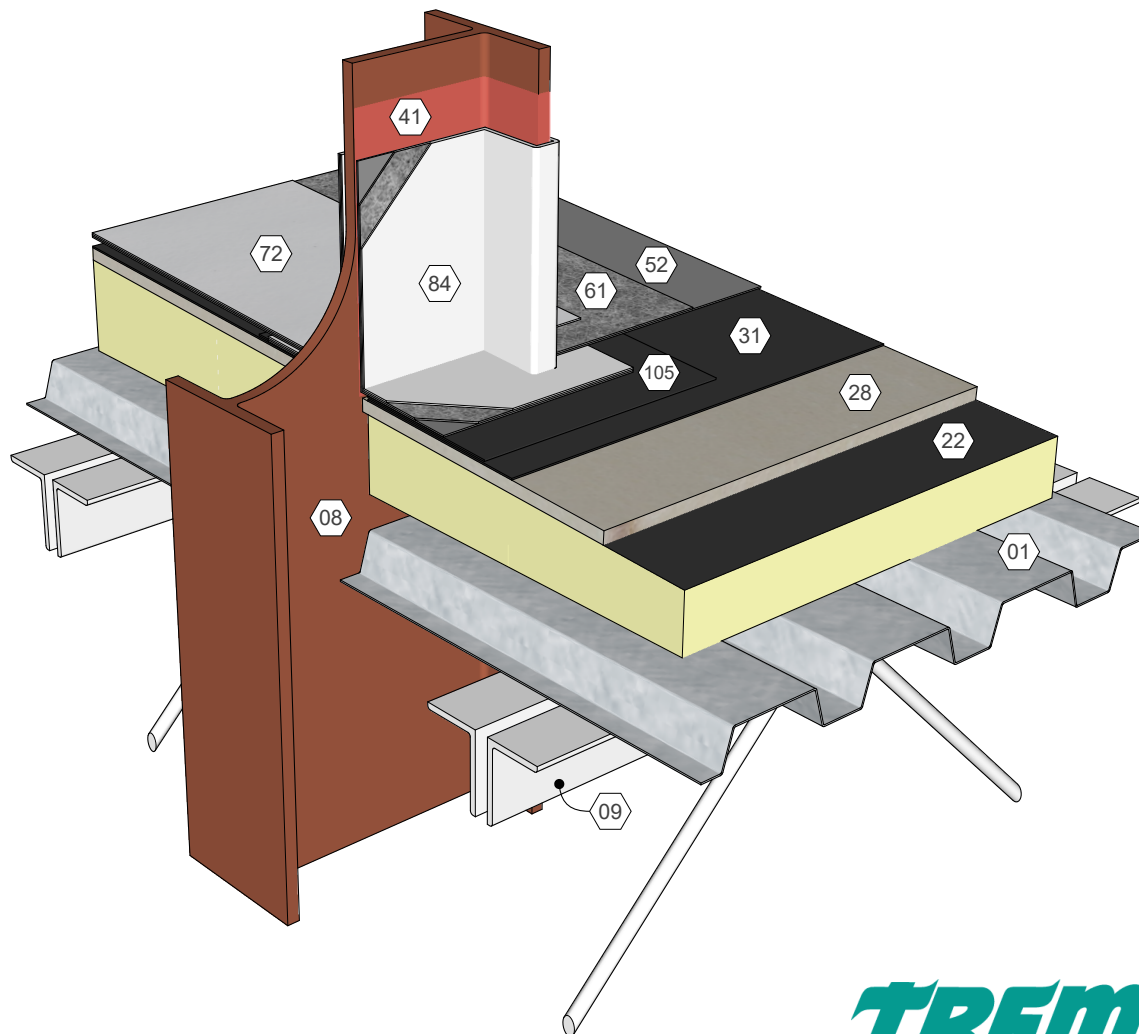
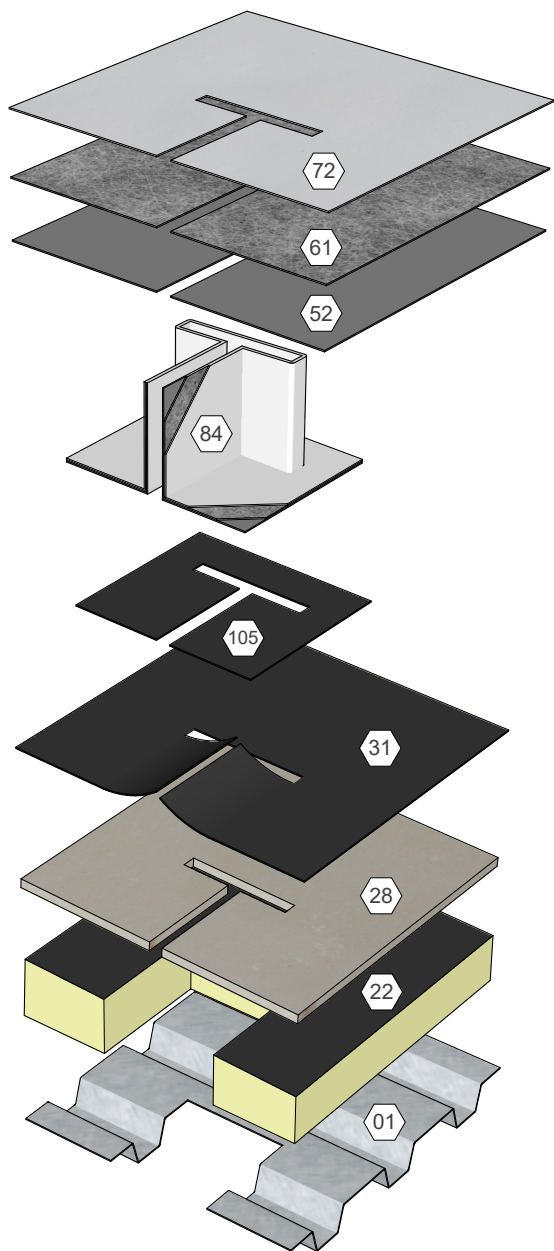


KEY NOTES

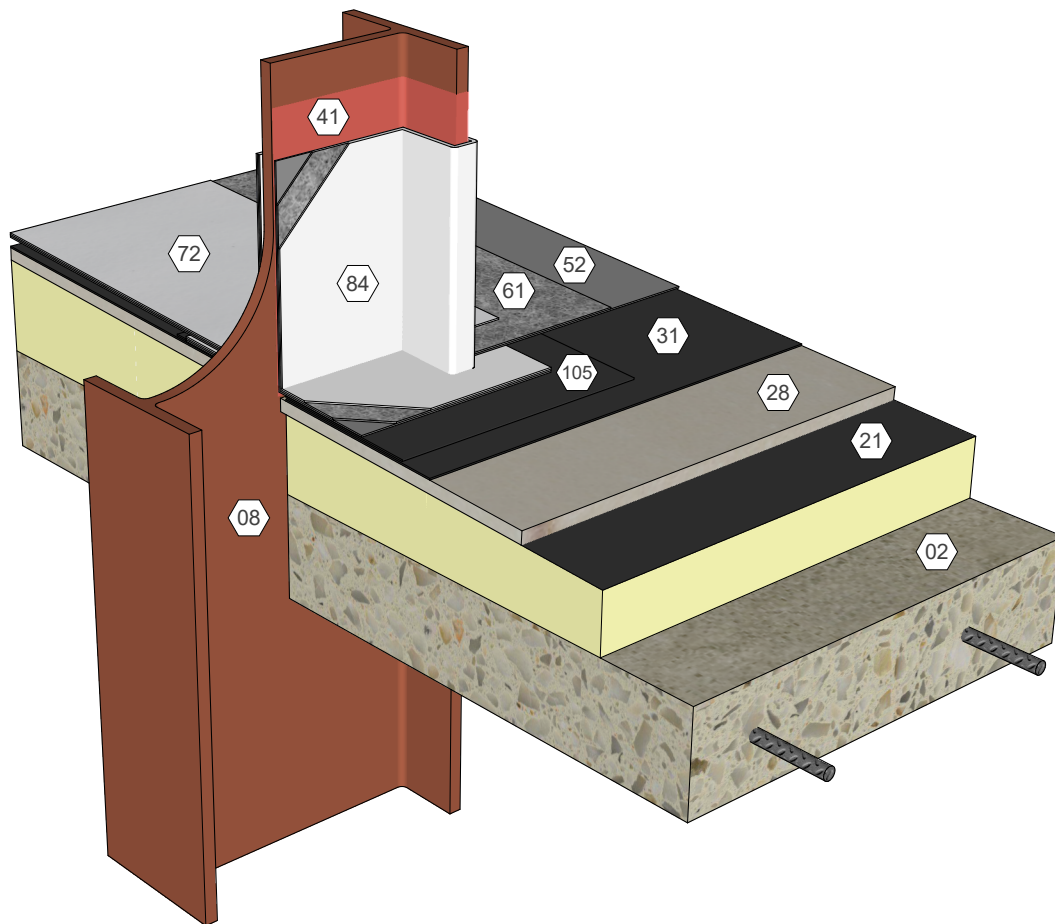
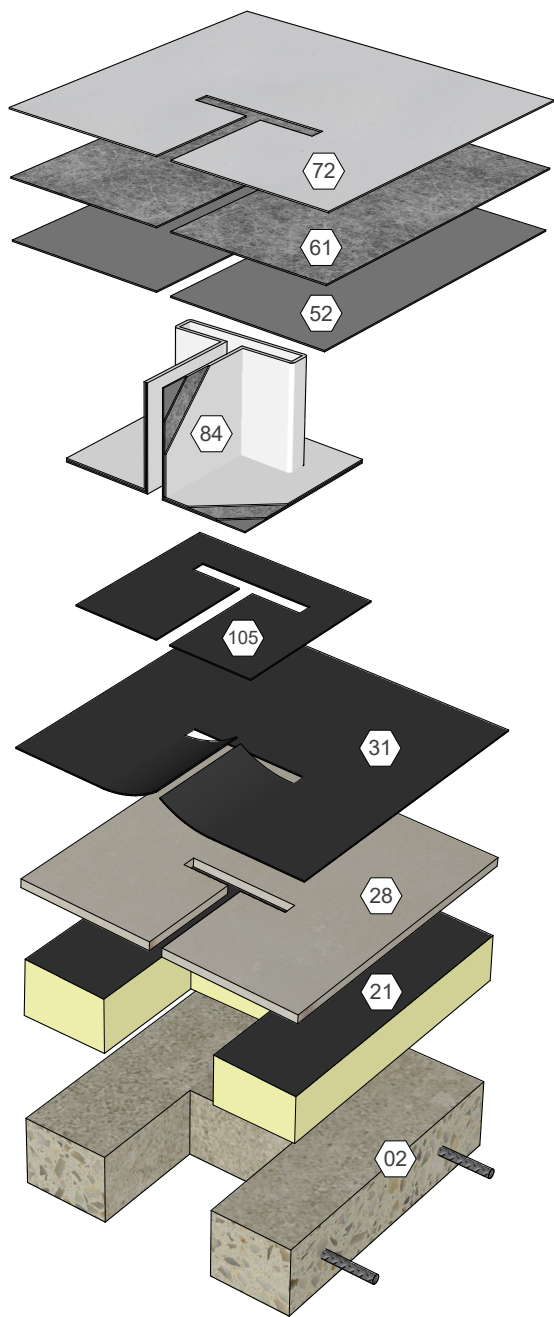
- | | | |
|-------------------------------------------------------|------------------------------|--------------------------------------|
| 01) Metal Deck | 28) Cover Board (Adhered) | 61) AlphaGuard Glass Mat or Permafab |
| 08) Structural Member | 31) Approved Base Ply Sheet | 72) AlphaGuard BIO Top Coat |
| 09) Roof Structure | 41) Approved Primer | 84) AlphaGuard Flashing |
| 22) Polyisocyanurate Insulation (Fastened or Adhered) | 52) AlphaGuard BIO Base Coat | 105) Target Patch |



AlphaGuard® BIO Plus Structural Member Through Metal Deck Detail
Detail 23141

KEY NOTES

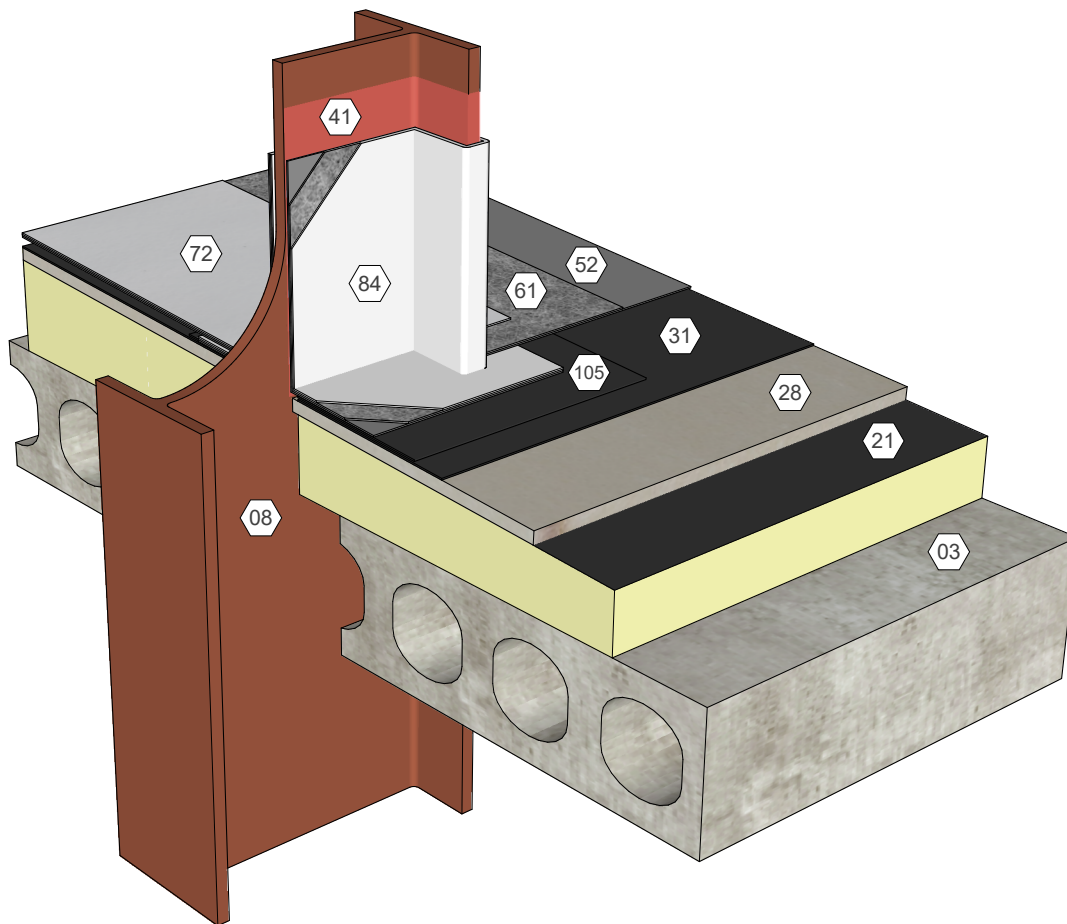
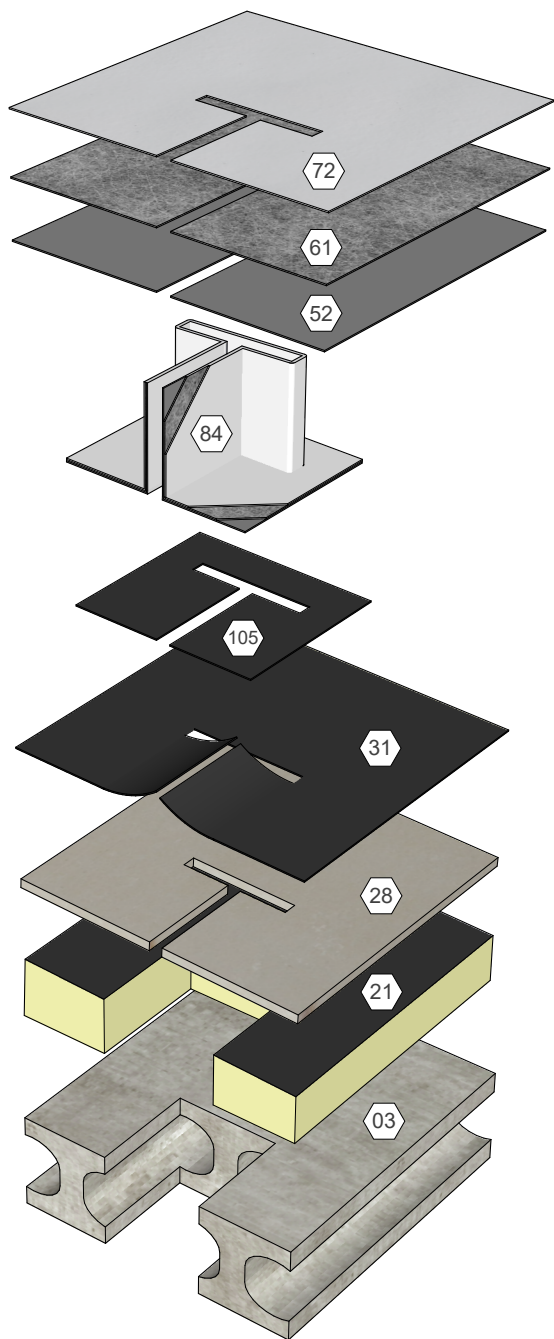
- | | | |
|------------------------------------------|-------------------------------------|----------------------------|
| 02 Structural Concrete Deck | 31 Approved Base Ply Sheet | 72 AlphaGuard BIO Top Coat |
| 08 Structural Member | 41 Approved Primer | 84 AlphaGuard Flashing |
| 21 Polyisocyanurate Insulation (Adhered) | 52 AlphaGuard BIO Base Coat | 105 Target Patch |
| 28 Cover Board (Adhered) | 61 AlphaGuard Glass Mat or Permafab | |



AlphaGuard® BIO Plus Structural Member Through Structural Concrete Deck Detail
Detail 23142

KEY NOTES

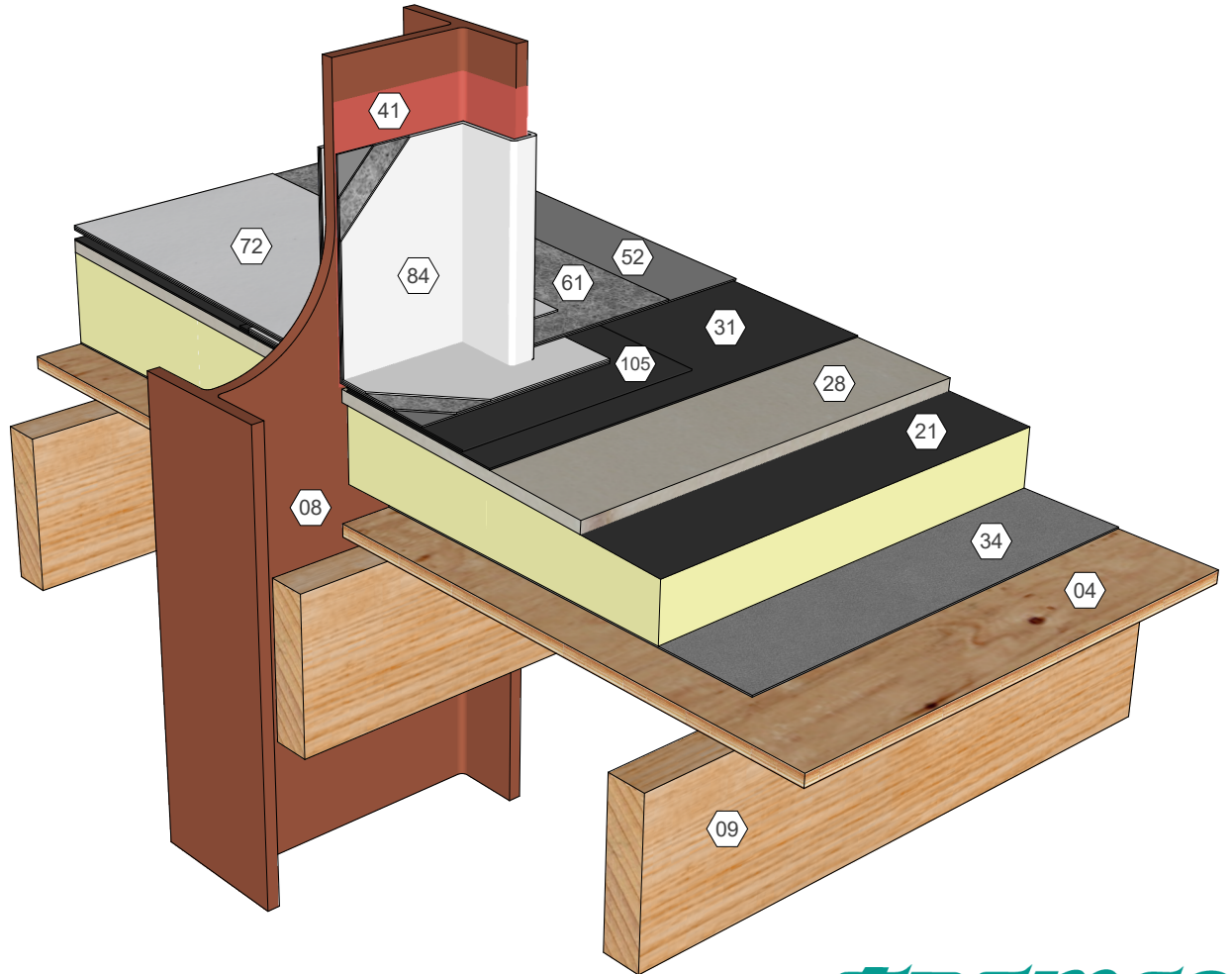
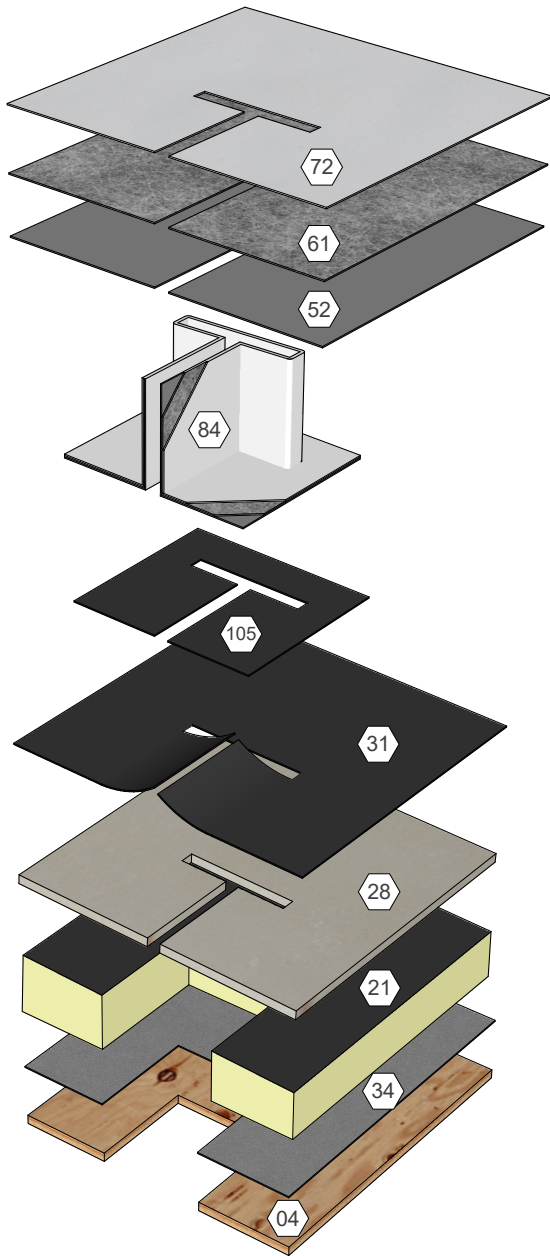
- | | | |
|-------------------------------------------|--------------------------------------|-----------------------------|
| 03) Precast Concrete Deck | 31) Approved Base Ply Sheet | 72) AlphaGuard BIO Top Coat |
| 08) Structural Member | 41) Approved Primer | 84) AlphaGuard Flashing |
| 21) Polyisocyanurate Insulation (Adhered) | 52) AlphaGuard BIO Base Coat | 105) Target Patch |
| 28) Cover Board (Adhered) | 61) AlphaGuard Glass Mat or Permafab | |



AlphaGuard® BIO Plus Structural Member Through Precast Concrete Deck Detail
Detail 23143

KEY NOTES

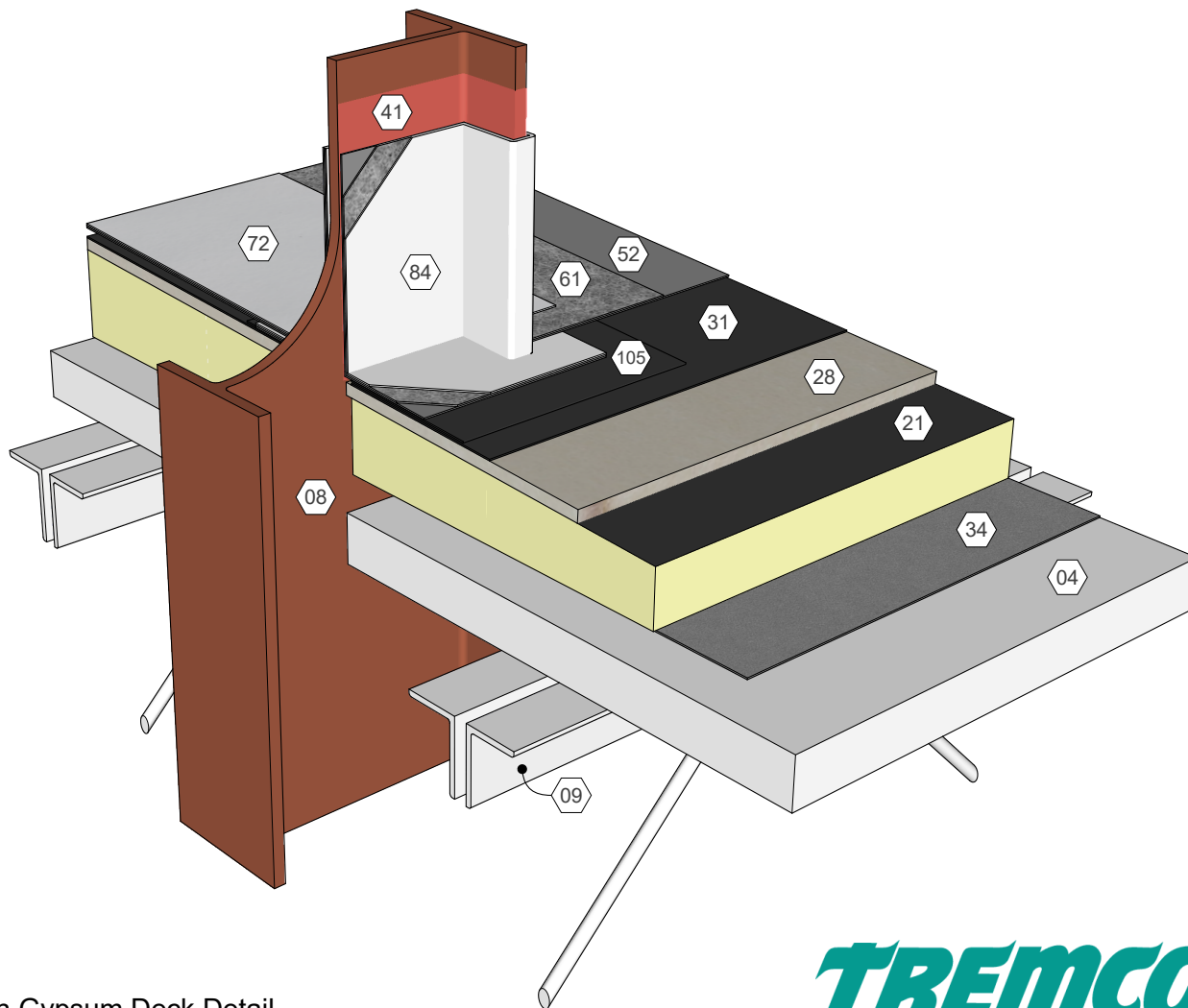
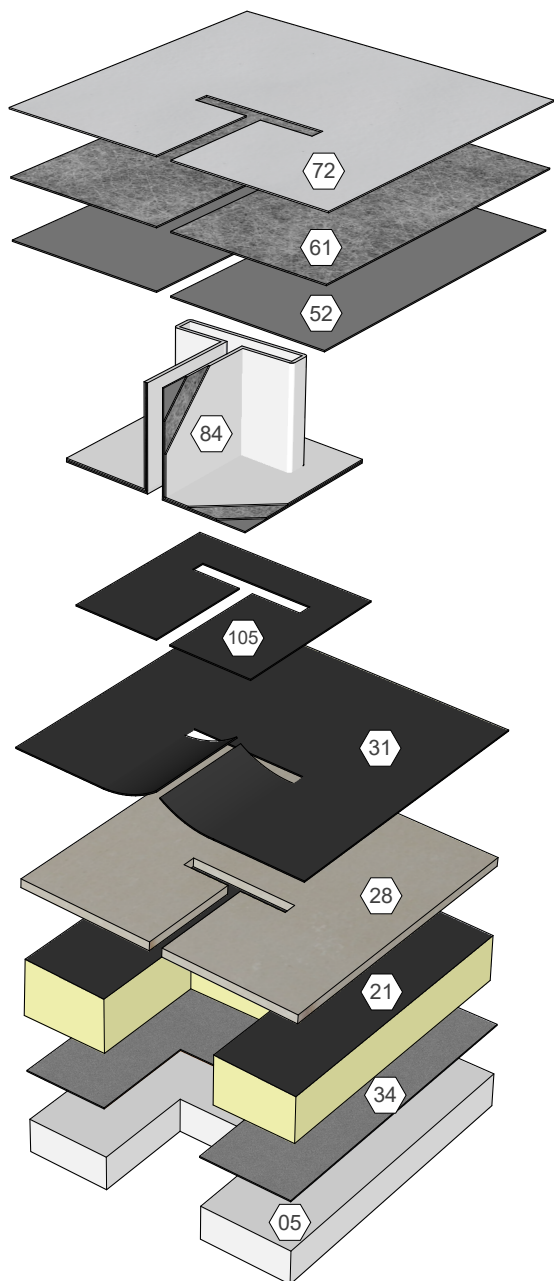
- | | | |
|-------------------------------------------|------------------------------|--------------------------------------|
| 04) Wood Deck | 28) Cover Board (Adhered) | 61) AlphaGuard Glass Mat or Permafab |
| 08) Structural Member | 31) Approved Base Ply Sheet | 72) AlphaGuard BIO Top Coat |
| 09) Roof Structure | 34) Base Sheet (Fastened) | 84) AlphaGuard Flashing |
| 21) Polyisocyanurate Insulation (Adhered) | 41) Approved Primer | 105) Target Patch |
| | 52) AlphaGuard BIO Base Coat | |



AlphaGuard® BIO Plus Structural Member Through Wood Deck Detail
Detail 23144

KEY NOTES

- | | | |
|-------------------------------------------|------------------------------|--------------------------------------|
| 05) Gypsum Deck | 28) Cover Board (Adhered) | 61) AlphaGuard Glass Mat or Permafab |
| 08) Structural Member | 31) Approved Base Ply Sheet | 72) AlphaGuard BIO Top Coat |
| 09) Roof Structure | 34) Base Sheet (Fastened) | 84) AlphaGuard Flashing |
| 21) Polyisocyanurate Insulation (Adhered) | 41) Approved Primer | 105) Target Patch |
| | 52) AlphaGuard BIO Base Coat | |



AlphaGuard® BIO Plus Structural Member Through Gypsum Deck Detail
Detail 23145